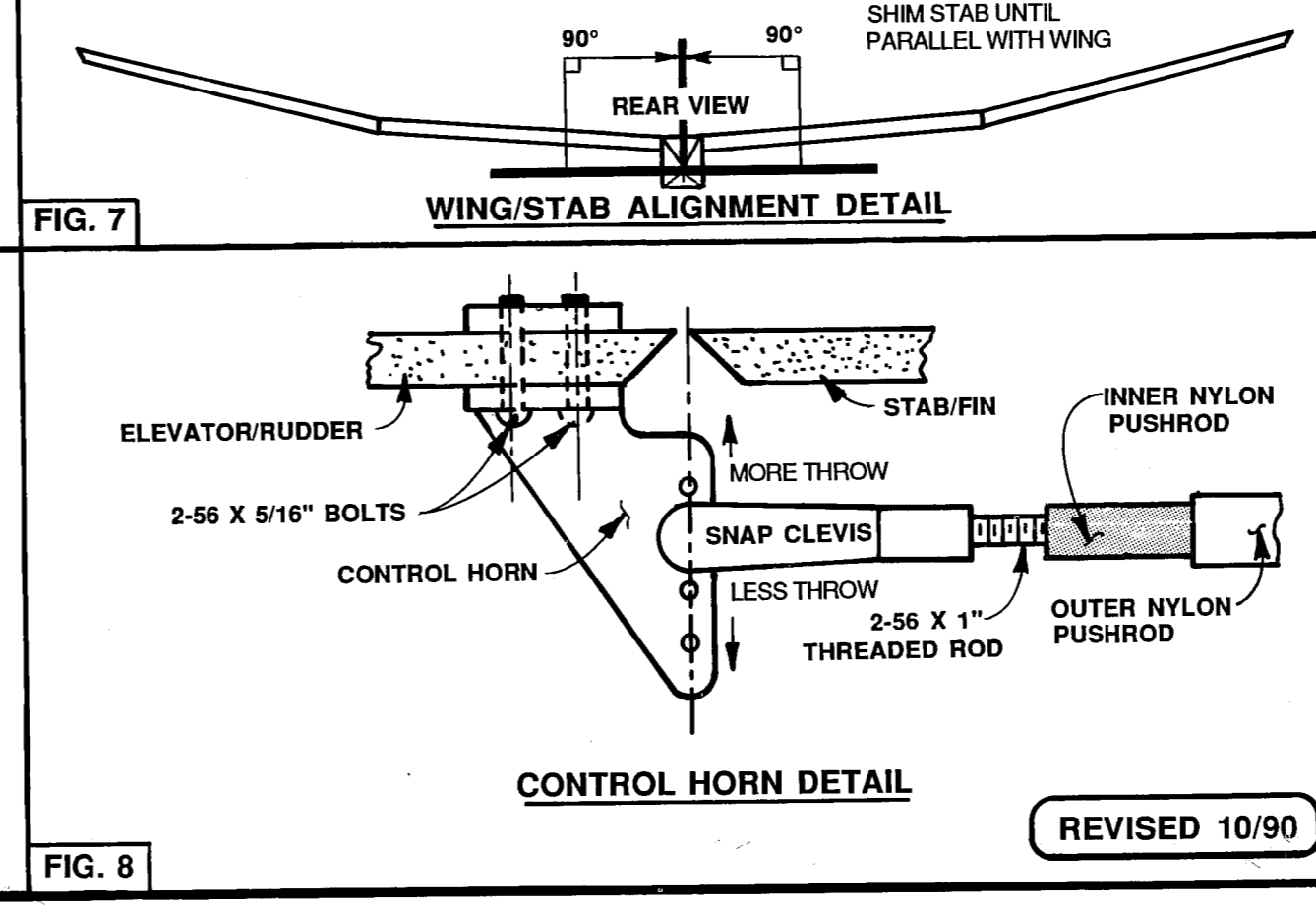
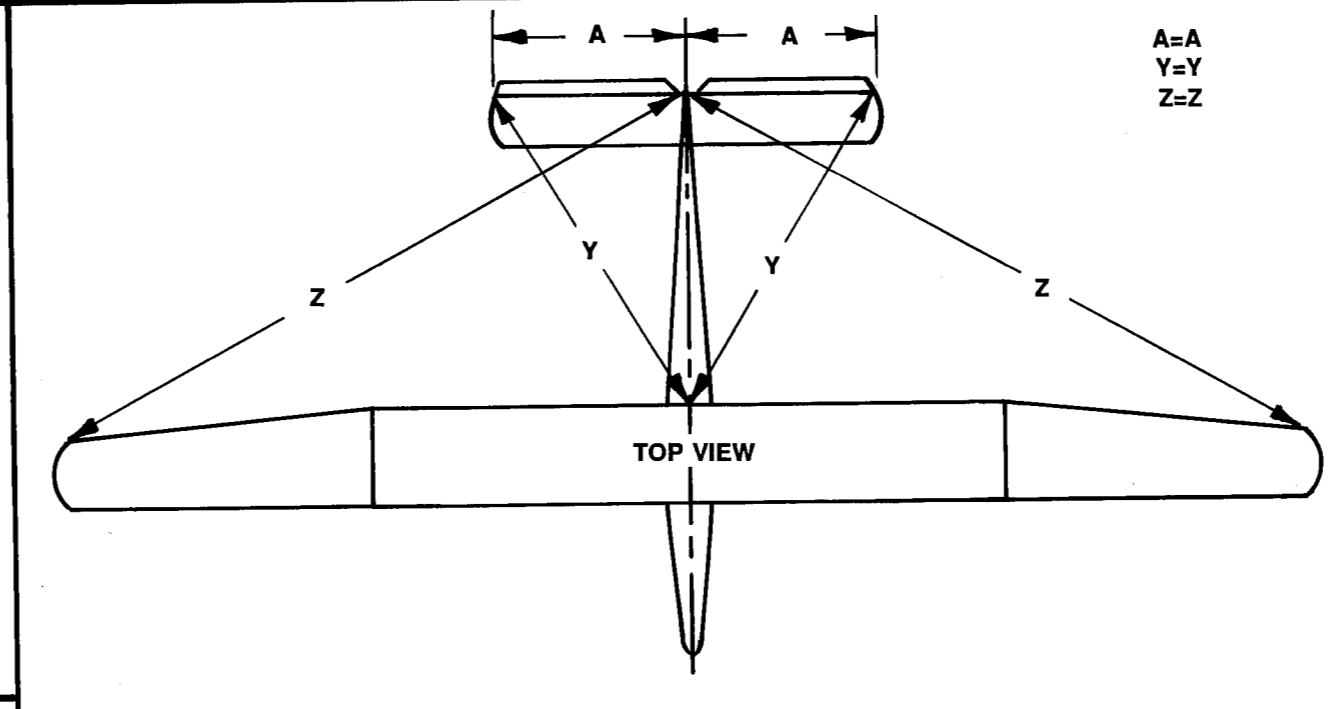
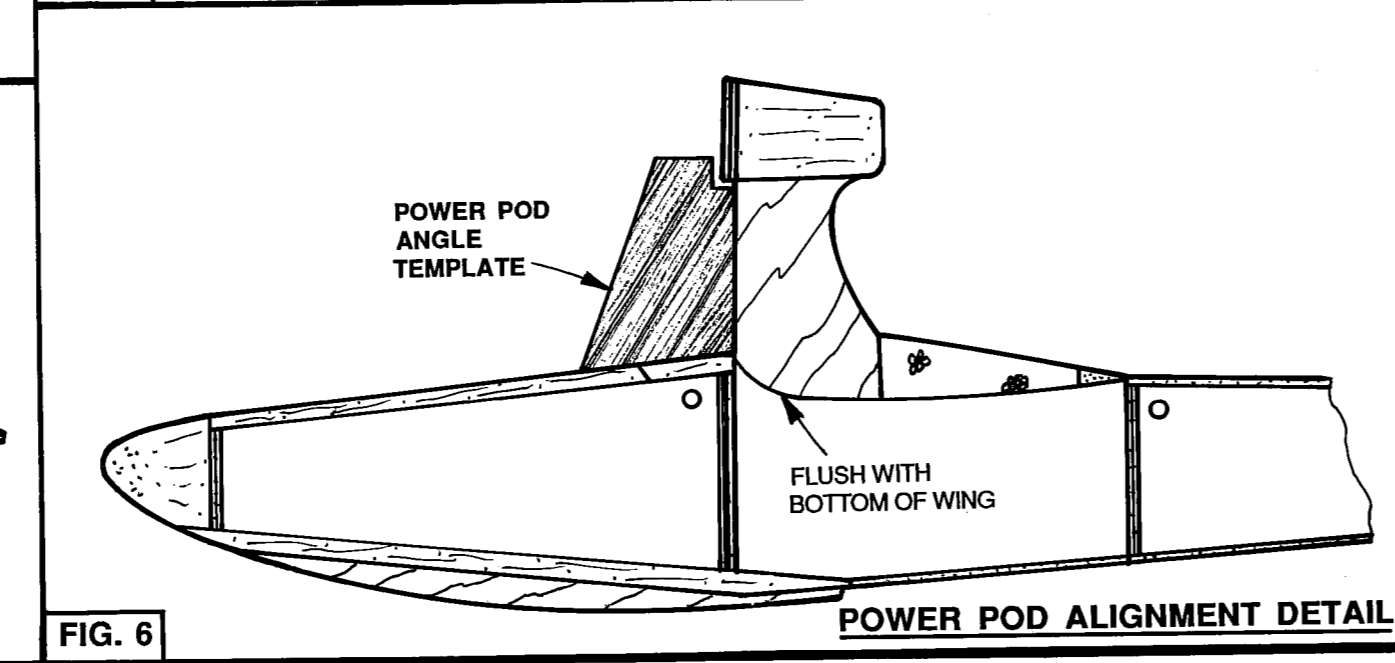
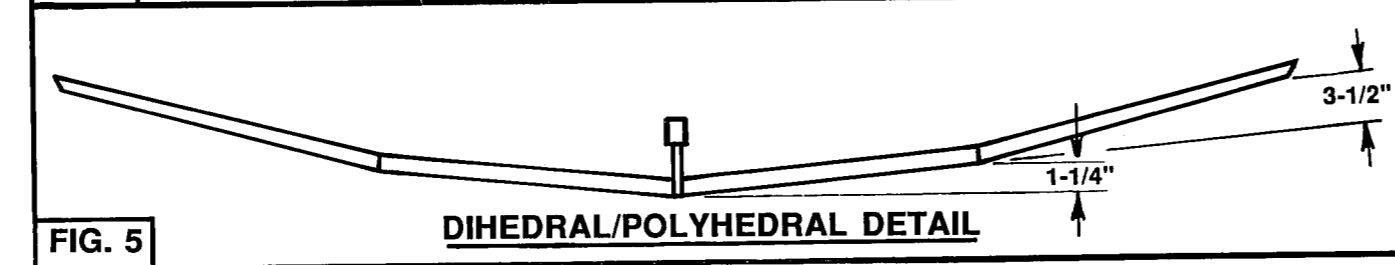
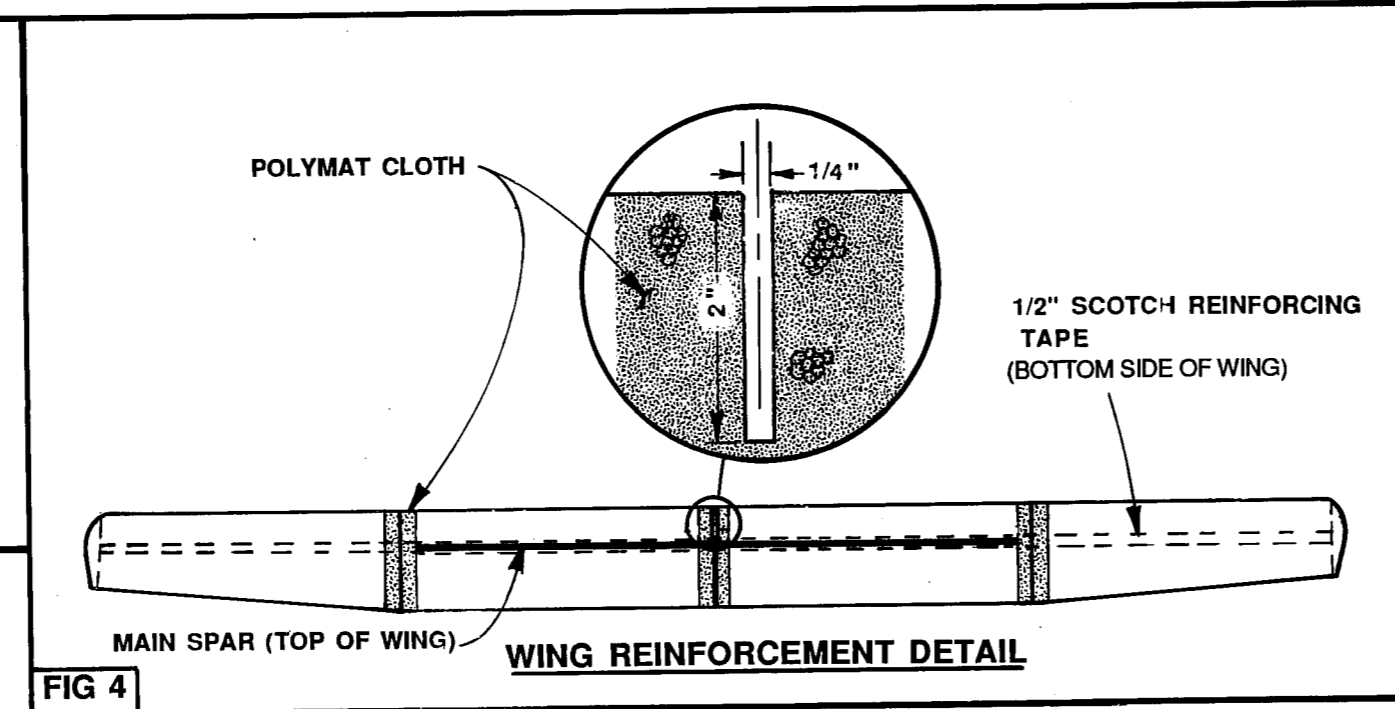
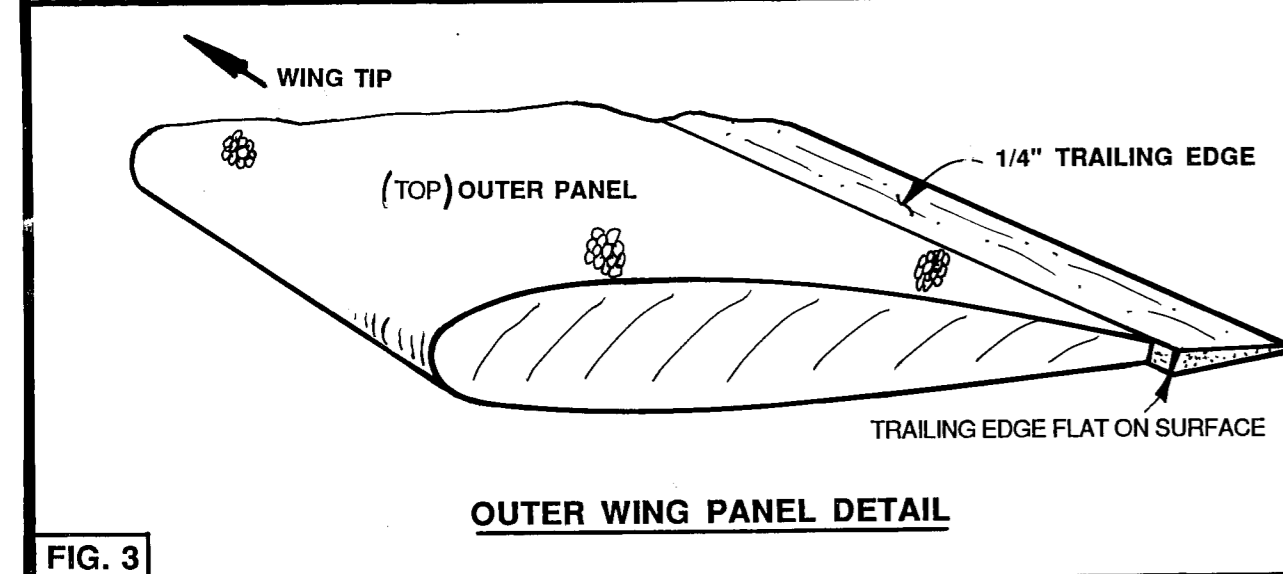
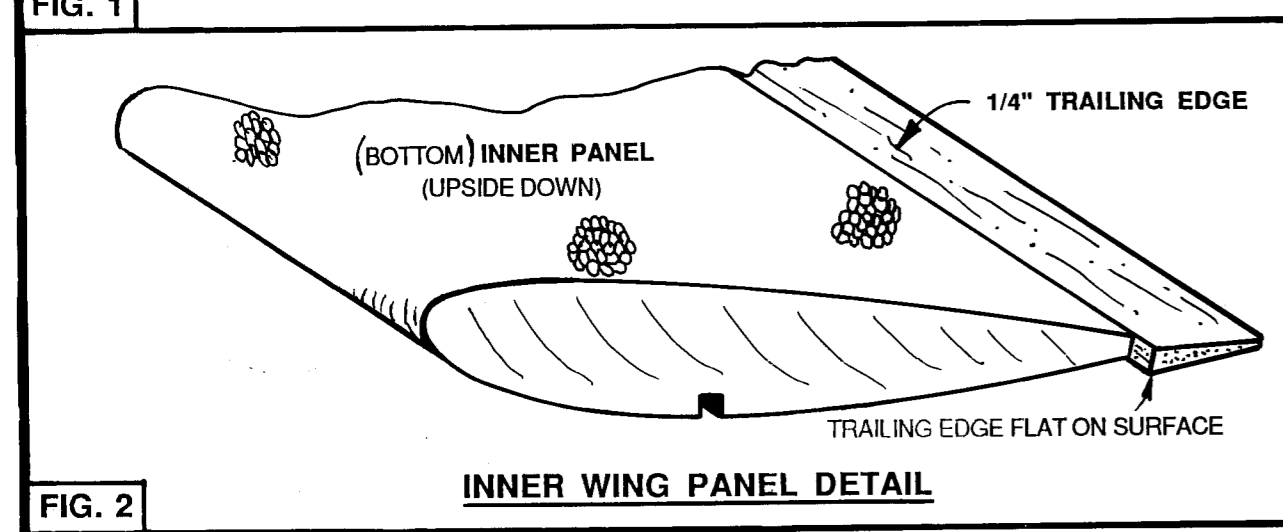
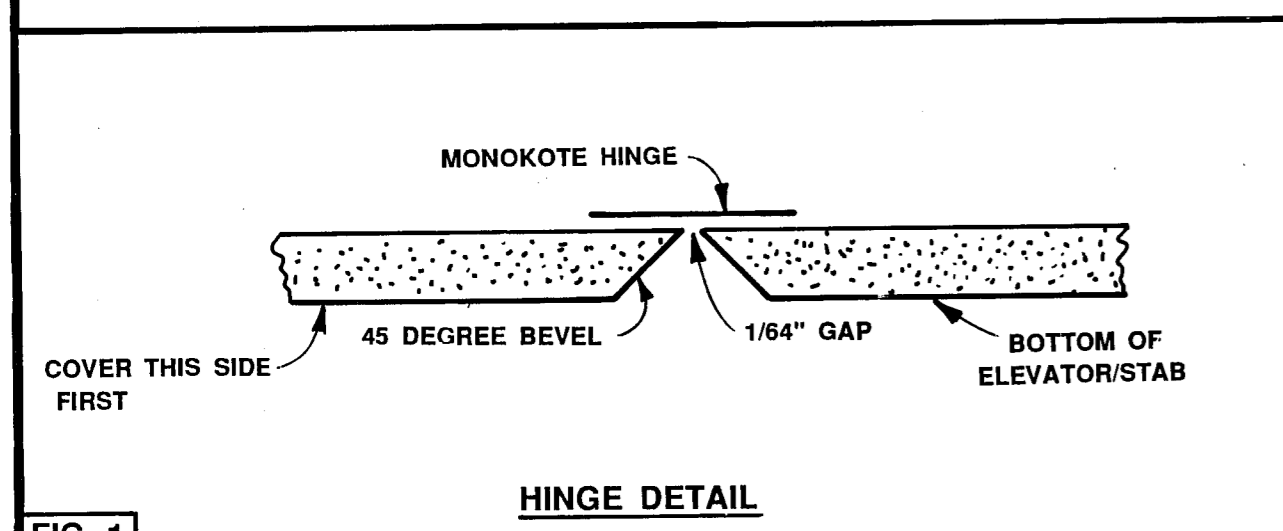
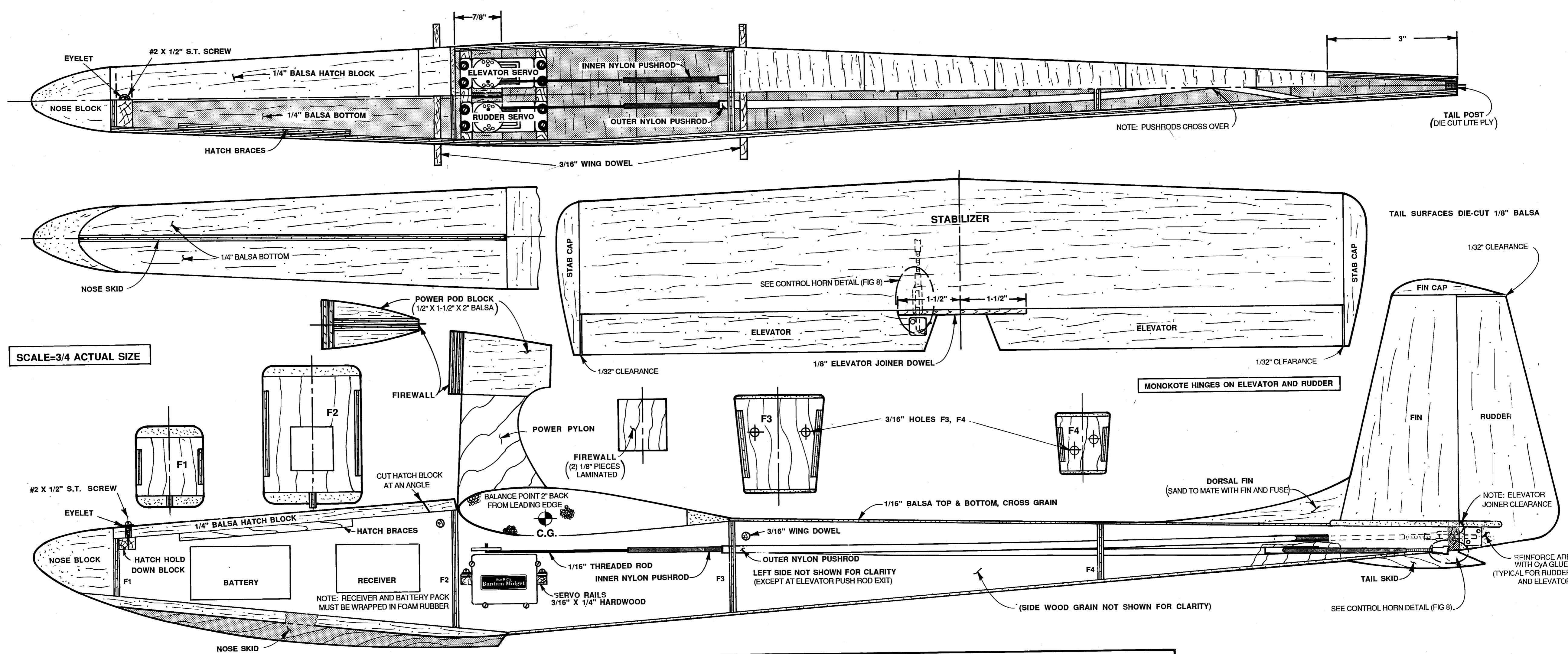


BULKHEAD LAYOUT



**IN MEMORIAM**  
 Owen Kampen unexpectedly passed away in late 1982. His design, the Ace High, was one of the first airplanes he did on Ace R/C's behalf and has proven to be one of the most popular and timeless designs Owen ever created in his prolific career as a model airplane designer.  
 As you build and fly this plane, please remember and appreciate one of Owen's finest efforts; that way his talents, abilities, and gentle nature will not be soon forgotten.  
 Tom Runge, Pres.  
 Ace R/C, Inc.

**ace high MKII**

DESIGNED BY: OWEN KAMPEN

WING SPAN: 69"	FUNCTIONS: TWO CHANNELS, RUDDER and ELEVATOR
WING AREA: 430 Sq In	STAB: ± 0°
LENGTH: 34"	WING: + 2°
WEIGHT: 25-30 Oz	ENGINE THRUST: + 3°
POWER: REED VALVE .049	

COPYRIGHT: 1990 ACE R/C PART NUMBER: 50L202

**ACE R/C**

116 W. 19th St., P.O.Box 511, Higginsville, MO 64037 816.584.7121  
 Technical Support (Electronic & Aircraft): 816.584.6303

REVISED 10/90

